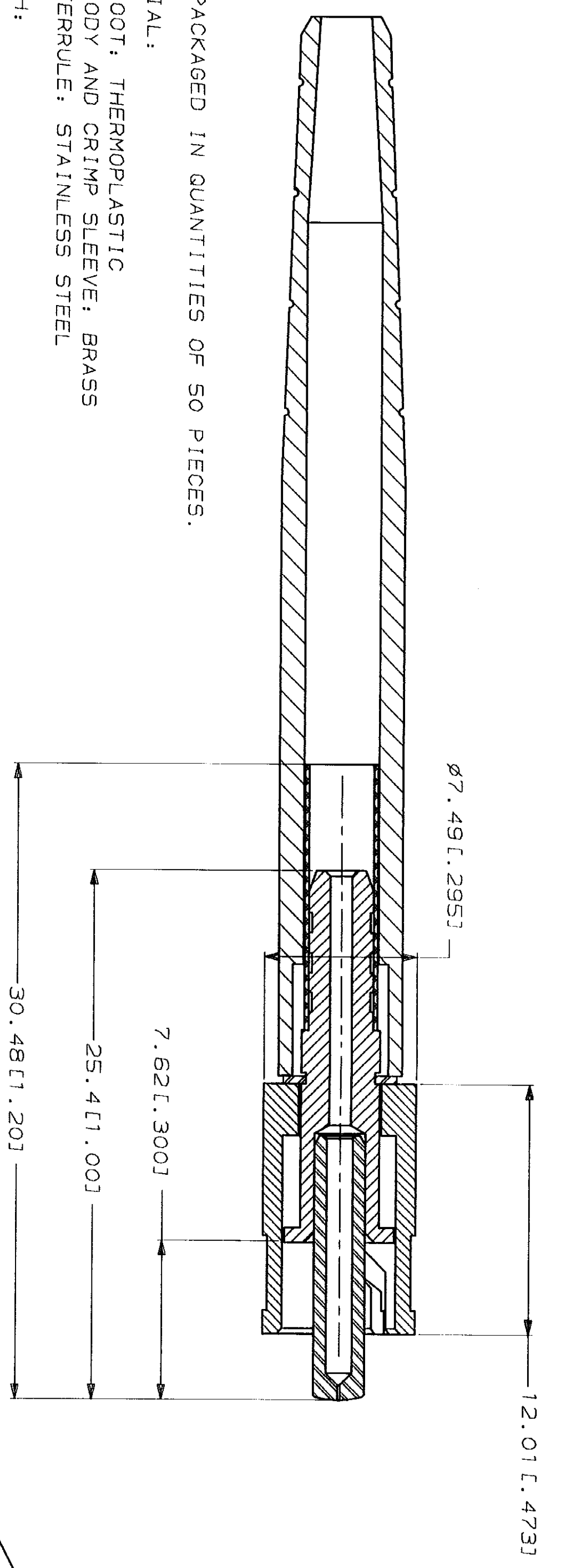
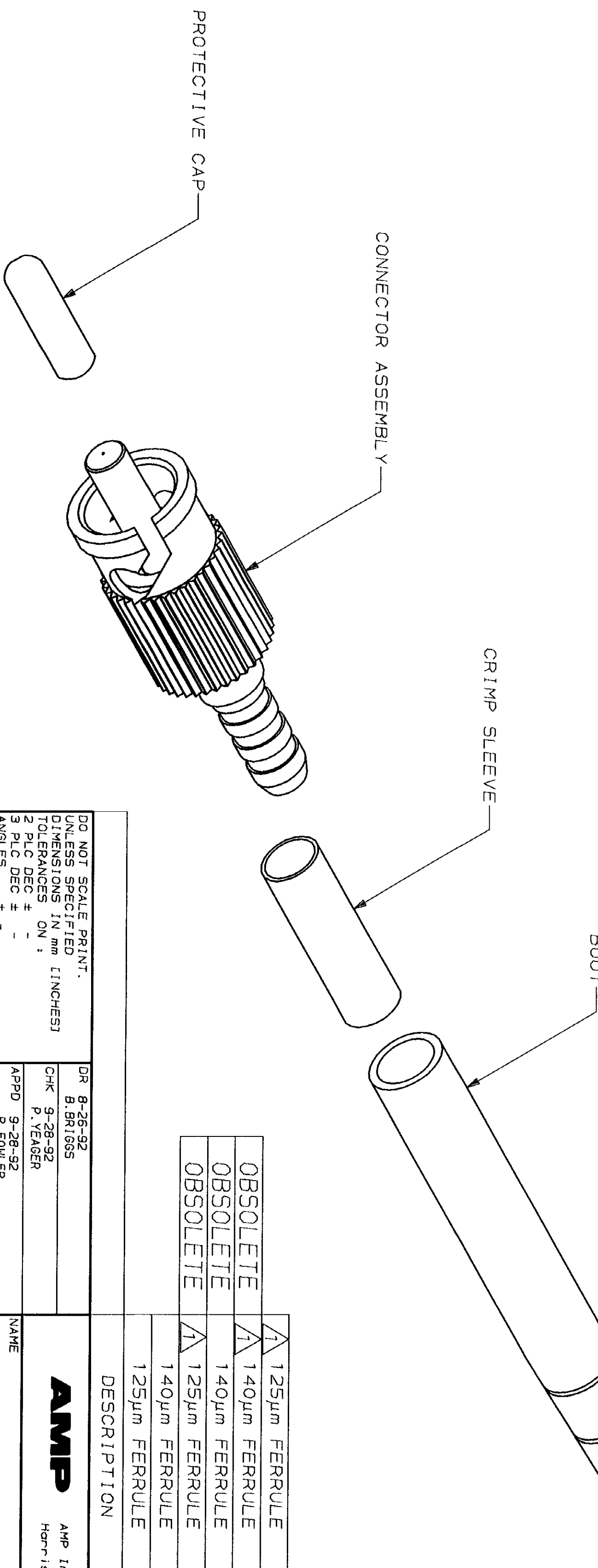


REV. NO.	DATE	BY	DESCRIPTION
16	7-15-93	PV/RF	REVISED PER 0500-3052



- 1 BULK PACKAGED IN QUANTITIES OF 50 PIECES.
- 2 MATERIAL:  
 BOOT: THERMOPLASTIC  
 BODY AND CRIMP SLEEVE: BRASS  
 FERRULE: STAINLESS STEEL
- 3 FINISH:  
 BODY, CRIMP SLEEVE AND NUT: NICKEL PLATED.



DESCRIPTION	PART NO
125µm FERRULE	504002-6
140µm FERRULE	504002-5
140µm FERRULE	504002-4
125µm FERRULE	504002-3
140µm FERRULE	504002-2
125µm FERRULE	504002-1

DR 8-26-92 B. BRIGGS	NAME
CHK 9-28-92 P. YEAGER	ASSEMBLY, MINI BNC CONNECTOR
APPD 9-28-92 R. FOWLER	
APPD 9-28-92 D. FISHER	
PRODUCT SPEC	

DO NOT SCALE PRINT. UNLESS SPECIFIED DIMENSIONS IN mm (INCHES) TOLERANCES ON: 2 PLC DEC # 3 PLC DEC # ANGLES #	FINISH	APPLICAITON SPEC	SCALE
	3		5:1

METRIC